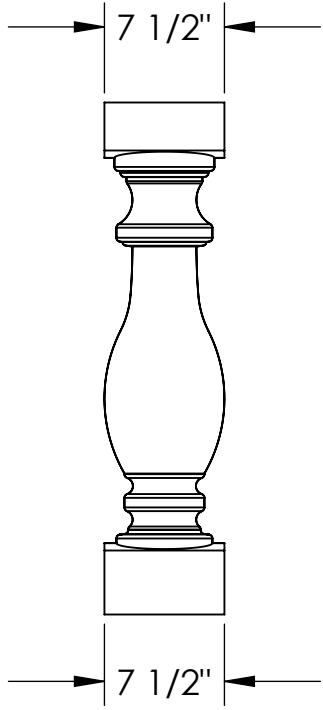
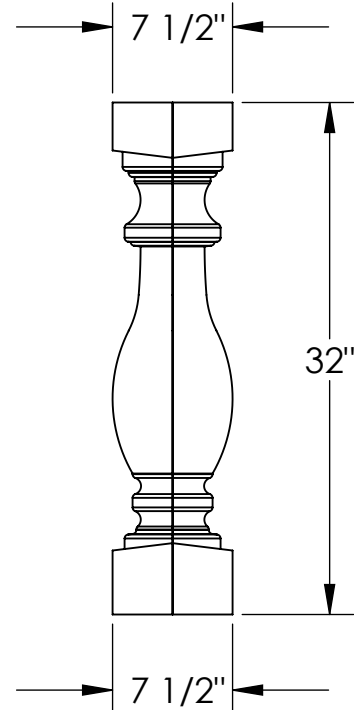


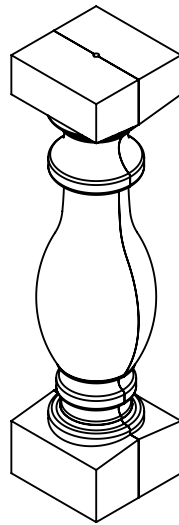
RockCast Easy Order Form



Profile



Side



Qty: ____

**BASED ON LOCAL BUILDING CODES AND SPECIFIC USE OF THE RAIL SYSTEM, REBAR MAY BE REQUIRED AND IS AVAILABLE UPON REQUEST

| | | |
|--|----------|--|
| Mold #: BL-2003 ASSEMBLY | | Buffstone <input type="checkbox"/> Crystal White <input type="checkbox"/> Other <input type="checkbox"/> |
|  ROCKCAST 4600 DEVITT DRIVE CINCINNATI, OHIO 45246 | Project: | Approved By: |