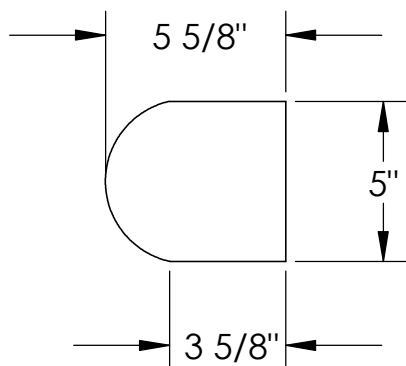
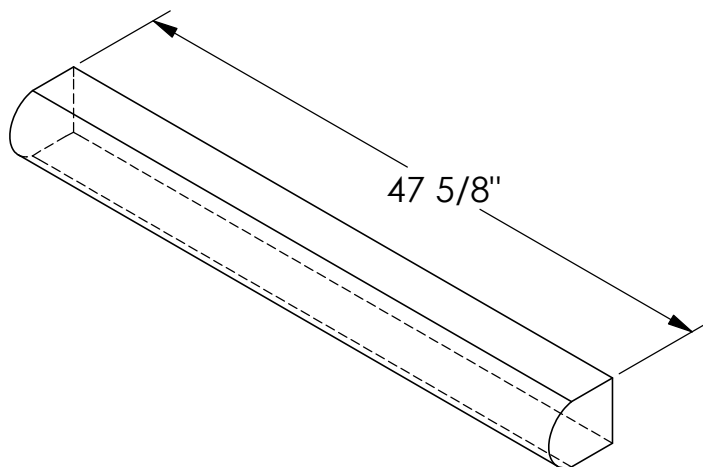


RockCast Easy Order Form



Profile

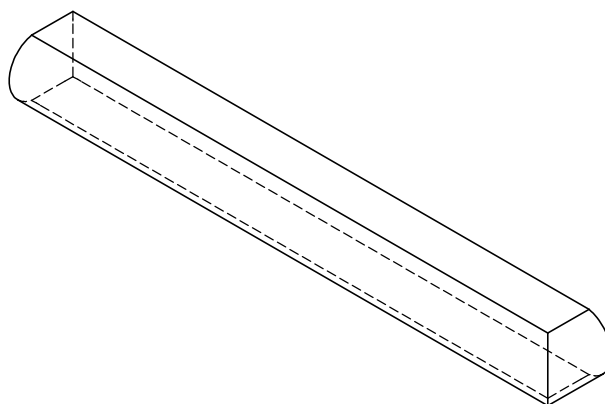


Straight

Qty: ____

96#

Use
Right Return
Turn Profile Over



Left Return

Qty: ____

Right Return

Qty: ____

95#

Mold #: BN-175		Buffstone <input type="checkbox"/> Crystal White <input type="checkbox"/> Other <input type="checkbox"/>
RockCast 4600 Devitt Drive Cincinnati, Ohio 45246	Project:	Approved By: