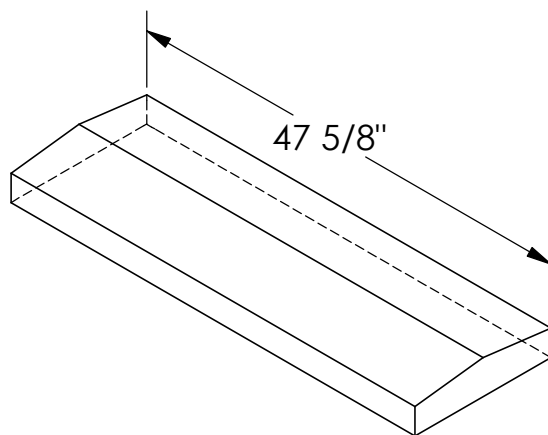
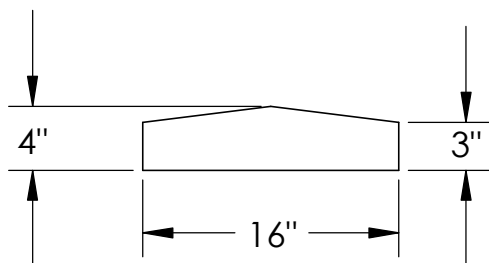


RockCast Easy Order Form

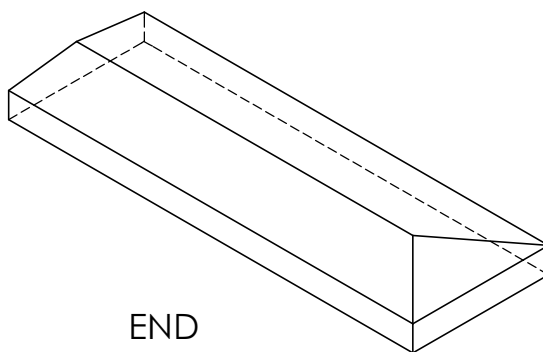


Profile

Straight

Qty: ____

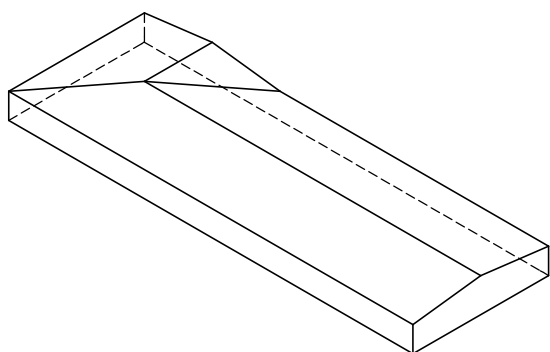
209#



END

Qty: ____

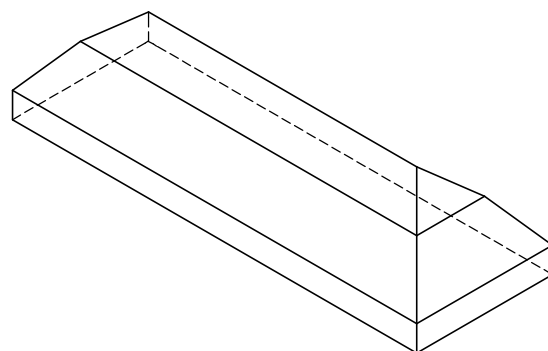
208#



Left Return

Qty: ____

209#



Right Return

Qty: ____

209#

Mold #: CO-116		Buffstone <input type="checkbox"/> Crystal White <input type="checkbox"/> Other <input type="checkbox"/>
RockCast 4600 Devitt Drive Cincinnati, Ohio 45246	Project:	Approved By: