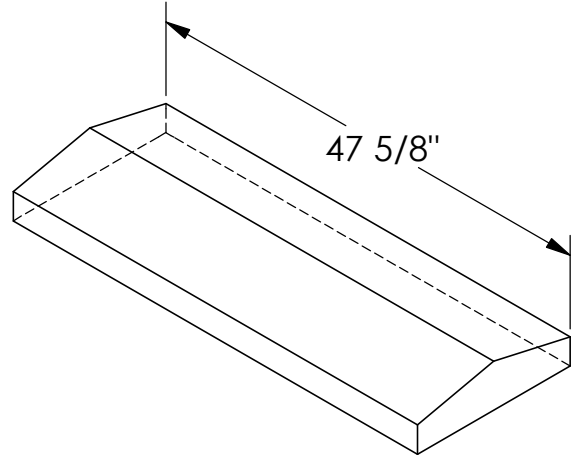
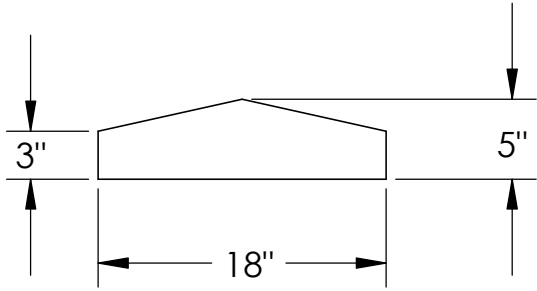


RockCast Easy Order Form

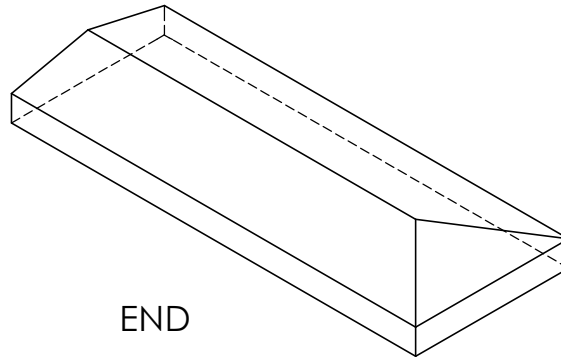


Straight

Qty: ____

269#

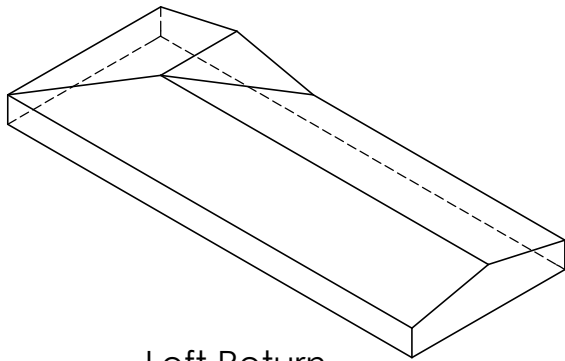
Profile



END

Qty: ____

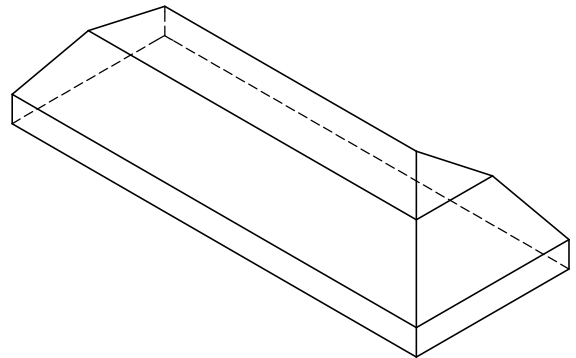
265#



Left Return

Qty: ____

269#



Right Return

Qty: ____

269#

| | | |
|--|-----------------|---|
| <p>Mold #:</p> <p>CO-218</p> | | <p>Buffstone <input type="checkbox"/></p> <p>Crystal White <input type="checkbox"/></p> <p>Other <input type="checkbox"/></p> |
| <p>RockCast</p> <p>4600 Devitt Drive Cincinnati, Ohio 45246</p> | <p>Project:</p> | <p>Approved By:</p> |