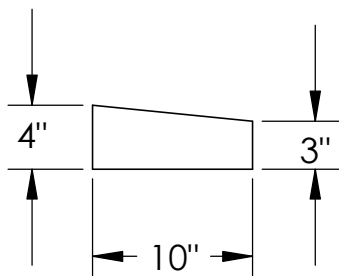
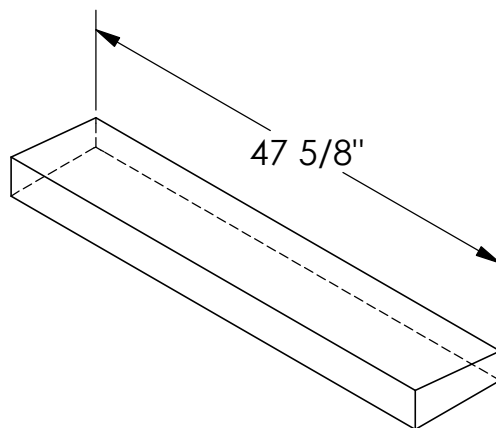


# RockCast Easy Order Form



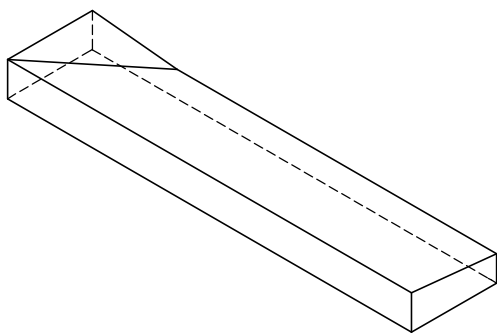
Profile



Straight

Qty: \_\_\_

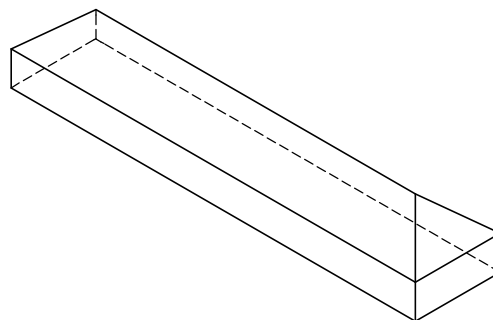
131#



Left Return

Qty: \_\_\_

130#



Right Return

Qty: \_\_\_

130#

<p>Mold #:</p> <p><b>CO-310</b></p>	<p>Rev: 08/05</p>	<p>Buffstone <input type="checkbox"/></p> <p>Crystal White <input type="checkbox"/></p> <p>Other <input type="checkbox"/></p>
<p><b>RockCast</b></p> <p>4600 Devitt Drive Cincinnati, Ohio 45246</p>	<p>Project:</p>	<p>Approved By:</p>