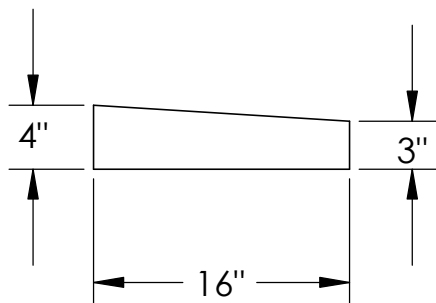
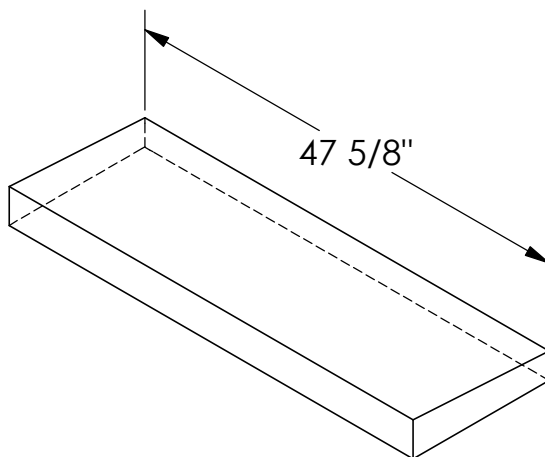


# RockCast Easy Order Form



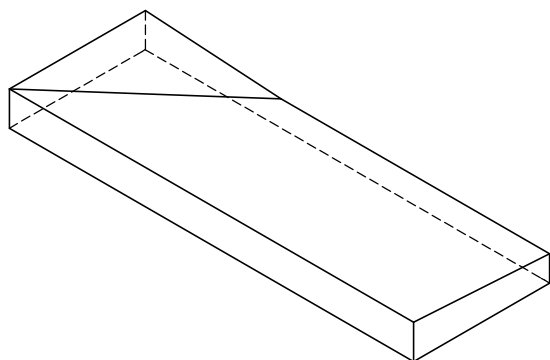
Profile



Straight

Qty: \_\_\_

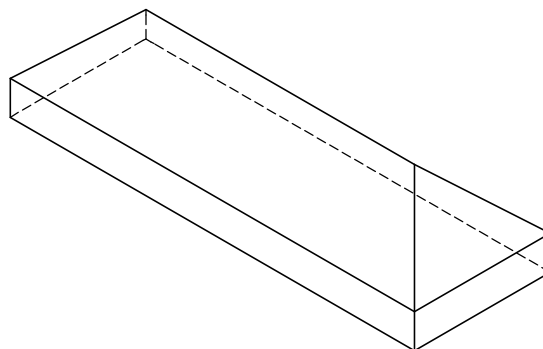
210#



Left Return

Qty: \_\_\_

206#



Right Return

Qty: \_\_\_

206#

Mold #: <b>CO-316</b>	Rev: 08/05	Buffstone <input type="checkbox"/> Crystal White <input type="checkbox"/> Other <input type="checkbox"/>
<b>RockCast</b> 4600 Devitt Drive Cincinnati, Ohio 45246	Project:	Approved By: