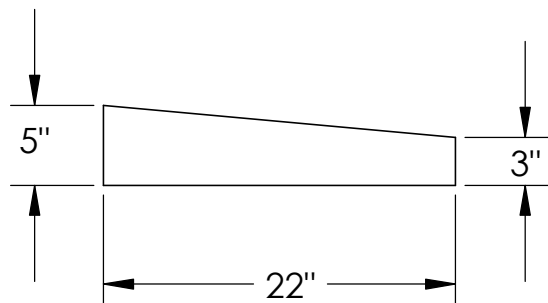
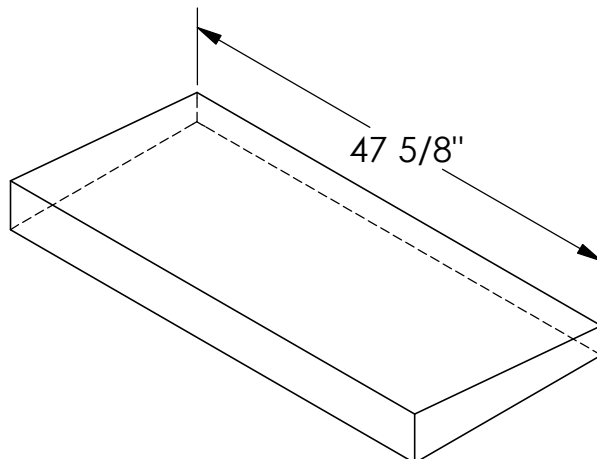


# RockCast Easy Order Form



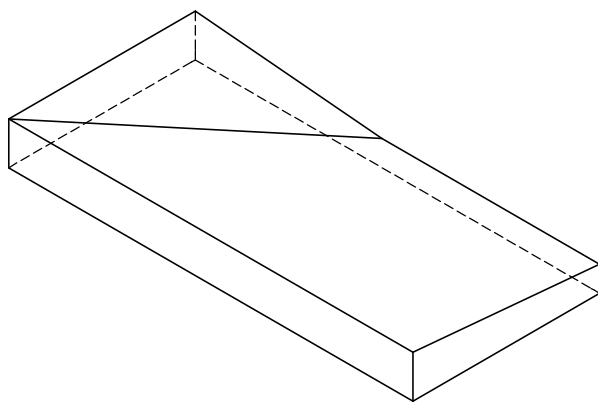
Profile



Straight

Qty: \_\_\_\_

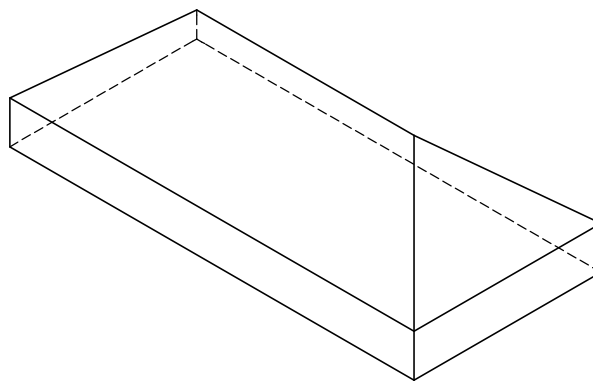
328#



Left Return

Qty: \_\_\_\_

316#



Right Return

Qty: \_\_\_\_

316#

Mold #: <b>CO-422</b>	Rev: 08/05 Project:	Buffstone <input type="checkbox"/> Crystal White <input type="checkbox"/> Other <input type="checkbox"/>
<b>RockCast</b> 4600 Devitt Drive Cincinnati, Ohio 45246	Project:	Approved By: