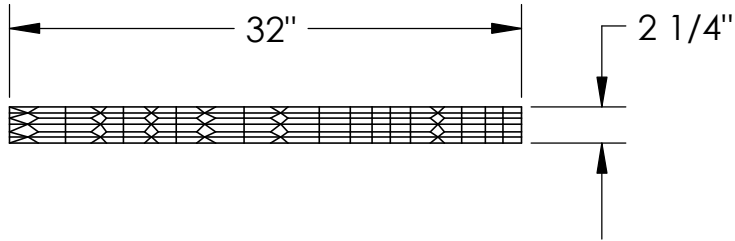
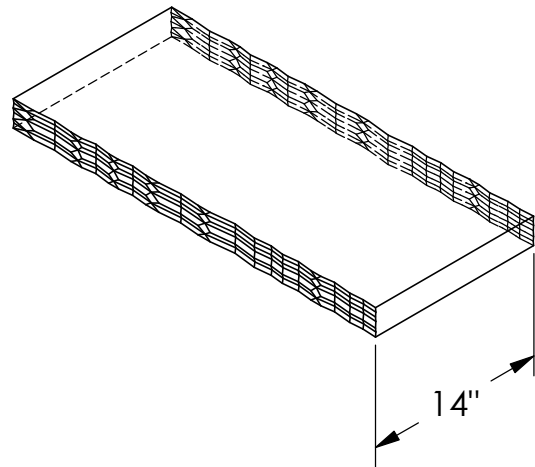


RockCast Easy Order Form



Profile



Cap

Qty: ____

80#

| | | |
|--|----------|--|
| Mold #: CP-2120-14 | | Buffstone <input type="checkbox"/> Crystal White <input type="checkbox"/> Other <input type="checkbox"/> |
| RockCast 4600 Devitt Drive Cincinnati, Ohio 45246 | Project: | Approved By: |