

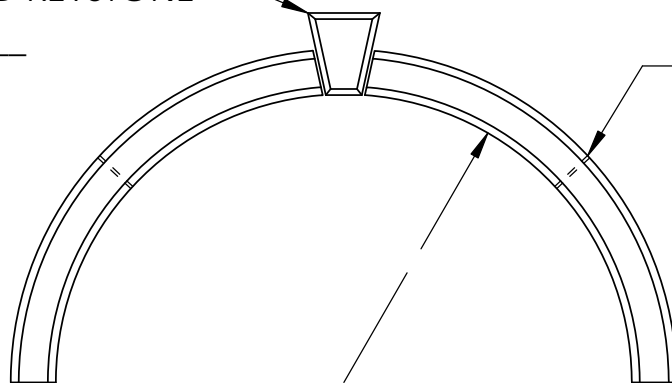
RockCast "Flex"ability Form

< FINISHED FACES

HALF ROUND WITH KEYSTONE

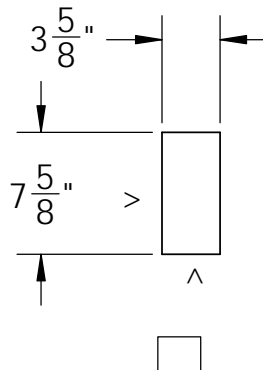
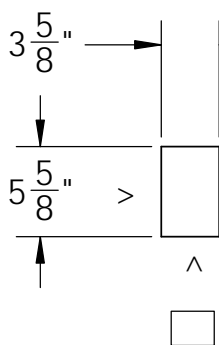
PICK A STANDARD KEYSTONE

KY- _____

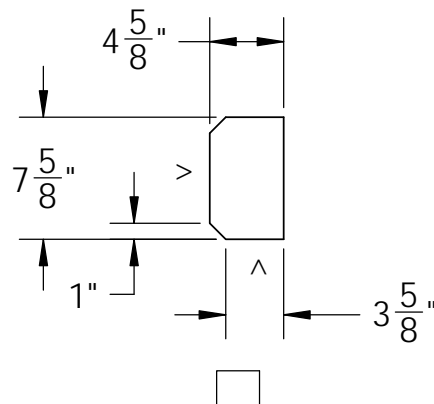
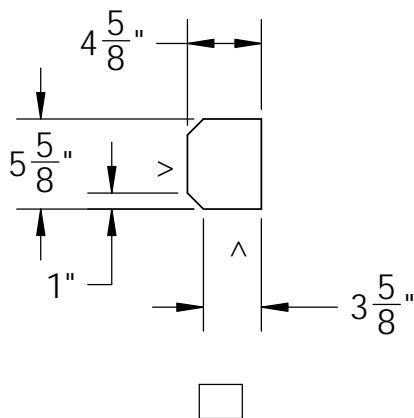


ADDITIONAL JOINTS
DEPENDING ON
WIDTH OF OPENING

ELEVATION
SHOWN WITH 6" CHAMFERED PIECE



PICK A PROFILE



Customer Notes:

Color:

QTY

Customer:

- PRICING
 FABRICATION

Project:



4600 DEVITT DRIVE
CINCINNATI, OHIO 45246

513.874.2345
fax: 513.874.2361

www.readingrock.com

Notes:

- MATERIAL AVAILABLE IN 6 WEEKS FROM APPROVED SHOP DRAWING.
- ROCKCAST MATERIAL IS NON-STRUCTURAL AND THEREFORE REQUIRES SUPPORT WHEN INSTALLING OVER OPENINGS.