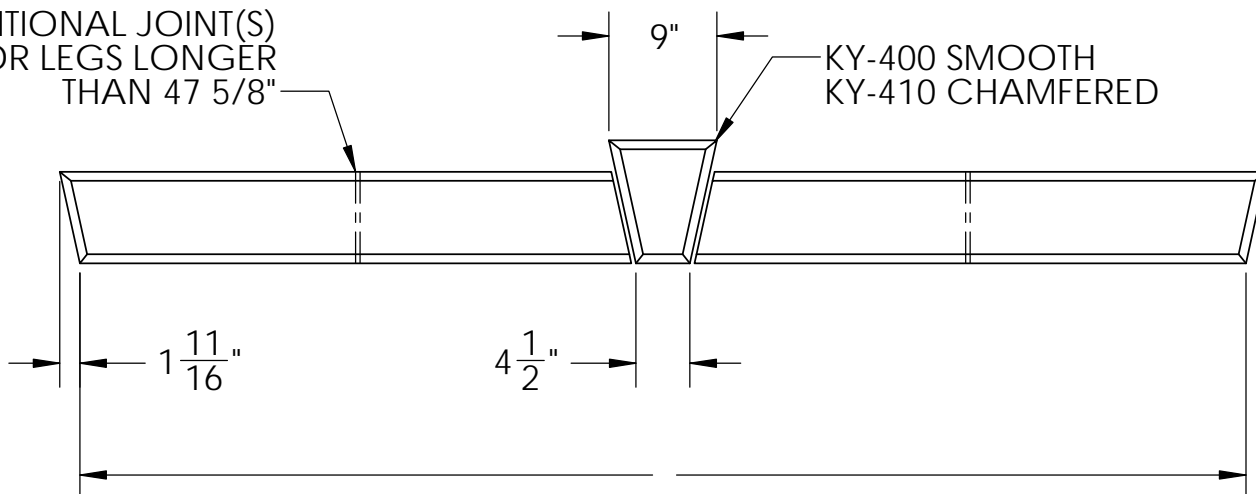


# RockCast "Flex"ability Form

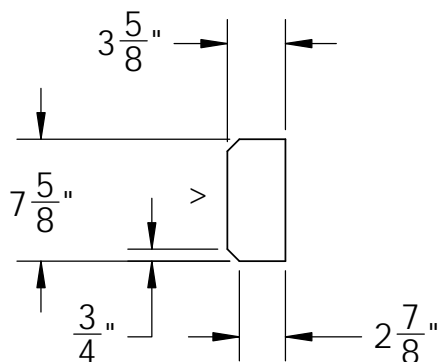
< FINISHED FACES

JACK ARCH 4 COURSE WINGED

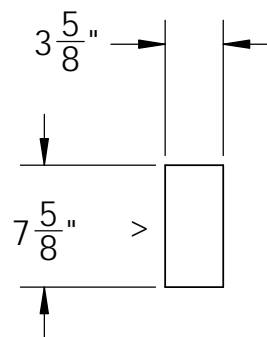
ADDITIONAL JOINT(S)  
FOR LEGS LONGER  
THAN 47 5/8"



ELEVATION



PICK A PROFILE



Customer Notes:

Color:

QTY

Customer:

PRICING

FABRICATION

Project:



4600 DEVITT DRIVE  
CINCINNATI, OHIO 45246

513.874.2345  
fax: 513.874.2361

www.readingrock.com

Notes:

- MATERIAL AVAILABLE IN 6 WEEKS FROM APPROVED SHOP DRAWING.
- ROCKCAST MATERIAL IS NON-STRUCTURAL AND THEREFORE REQUIRES SUPPORT WHEN INSTALLING OVER OPENINGS.