

RockCast "Flex"ability Form

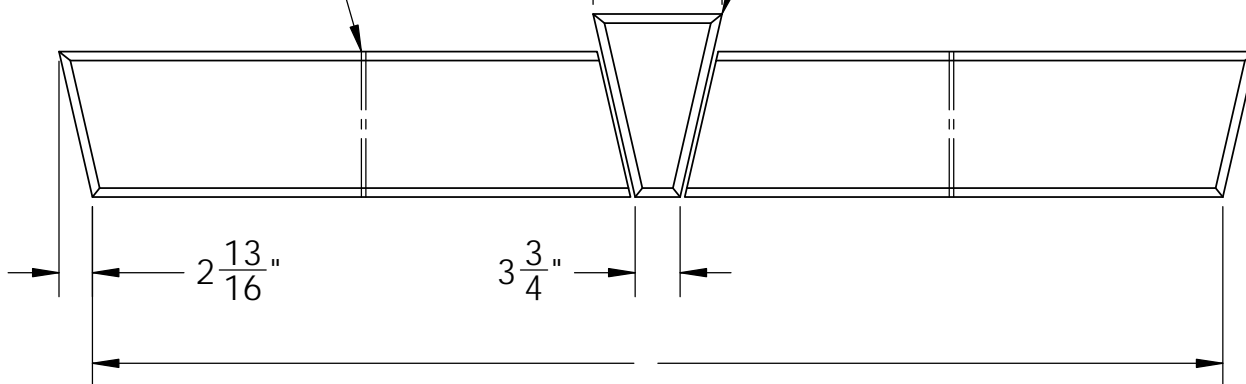
< FINISHED FACES

JACK ARCH 5 COURSE OVERSIZED WINGED

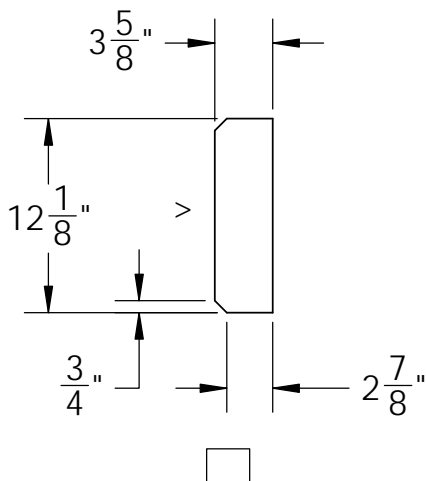
ADDITIONAL JOINT(S)
FOR LEGS LONGER
THAN 47 5/8"

10 3/4"

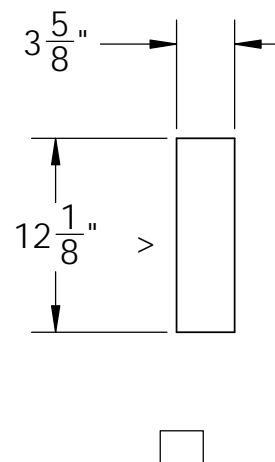
KY-600 SMOOTH
KY-610 CHAMFERED



ELEVATION



PICK A PROFILE



Customer Notes:

Color:

QTY

Customer:

- PRICING
 FABRICATION

Project:



4600 DEVITT DRIVE
CINCINNATI, OHIO 45246

513.874.2345
fax: 513.874.2361

www.readingrock.com

Notes:

- MATERIAL AVAILABLE IN 6 WEEKS FROM APPROVED SHOP DRAWING.
- ROCKCAST MATERIAL IS NON-STRUCTURAL AND THEREFORE REQUIRES SUPPORT WHEN INSTALLING OVER OPENINGS.