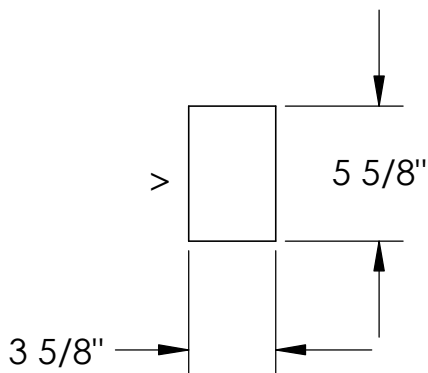


RockCast Easy Order Form

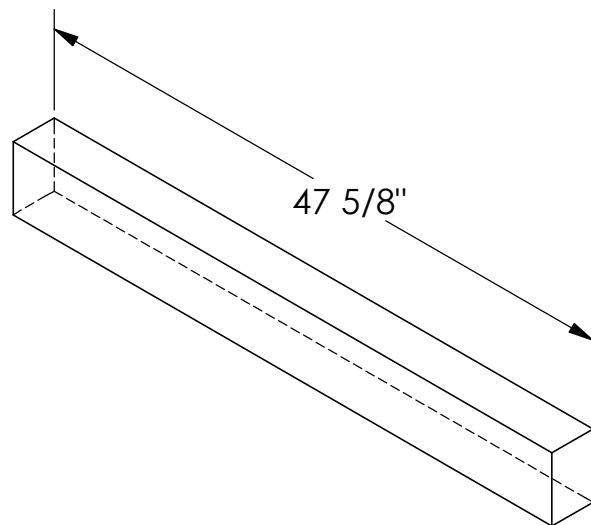


Profile

SAME AS
STRAIGHT PIECE

Left Return

Qty: ____



Straight

Qty: ____

77#

SAME AS
STRAIGHT PIECE

Right Return

Qty: ____

Mold #: HD-2256-48		Buffstone <input type="checkbox"/> Crystal White <input type="checkbox"/> Other <input type="checkbox"/>
RockCast 4600 Devitt Drive Cincinnati, Ohio 45246	Project:	Approved By: