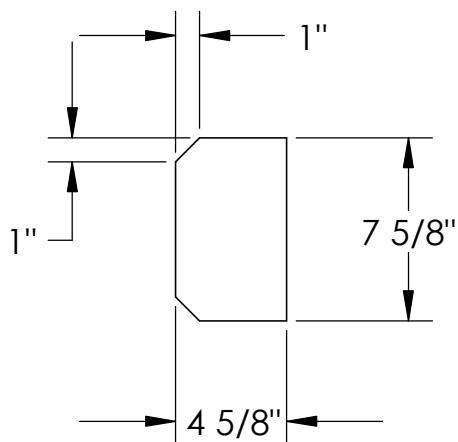
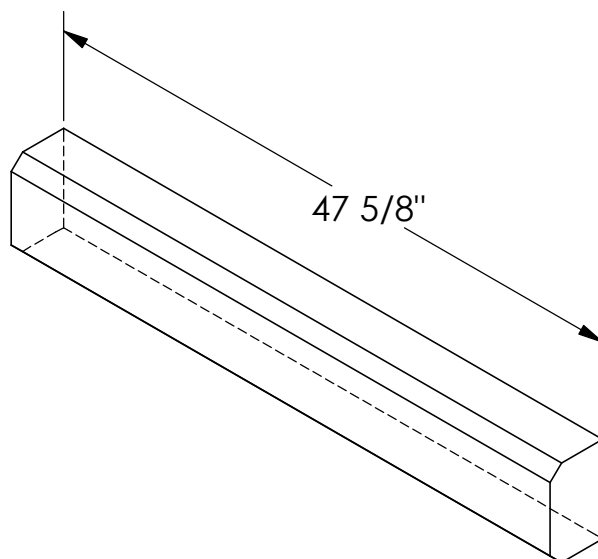


RockCast Easy Order Form



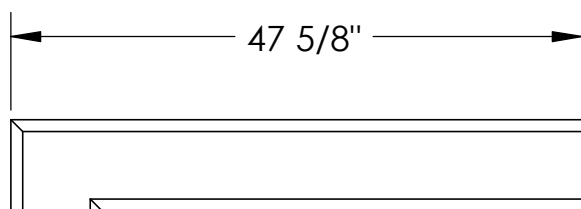
Profile



Straight

Qty: ___

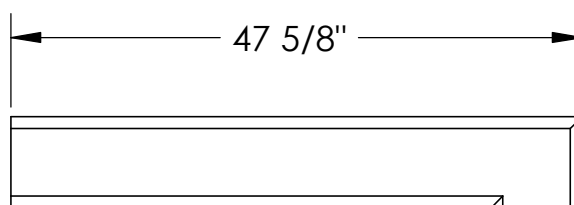
129#



Left Return

Qty: ___

129#



Right Return

Qty: ___

129#

<p>Mold #: HD-2257-48</p>		<p>Buffstone <input type="checkbox"/> Crystal White <input type="checkbox"/> Other <input type="checkbox"/></p>
<p>RockCast 4600 Devitt Drive Cincinnati, Ohio 45246</p>	<p>Project:</p>	<p>Approved By:</p>