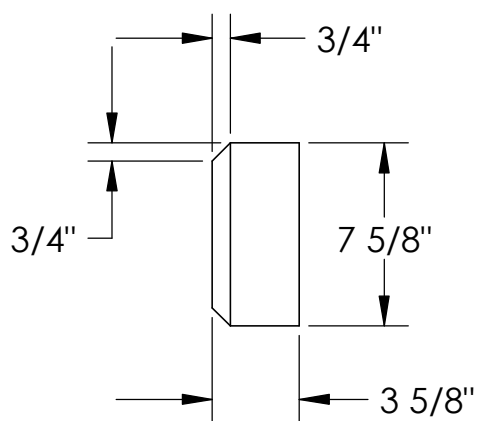
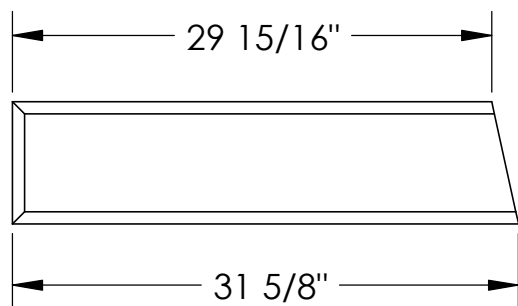


RockCast Easy Order Form



DESIGNED
FOR KEYSTONE
KY-410

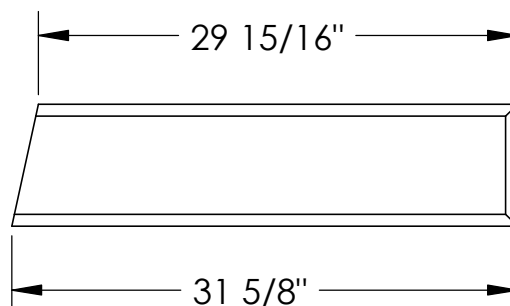
Profile



Left Side

Qty: ____

67#



Right Side

Qty: ____

67#

Mold #: HD-2265-32		Buffstone <input type="checkbox"/> Crystal White <input type="checkbox"/> Other <input type="checkbox"/>
RockCast 4600 Devitt Drive Cincinnati, Ohio 45246	Project:	Approved By: