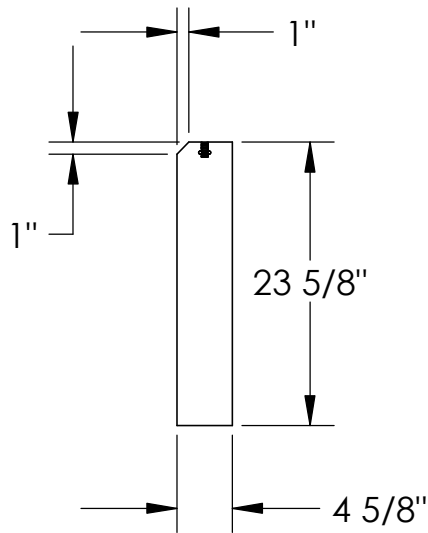
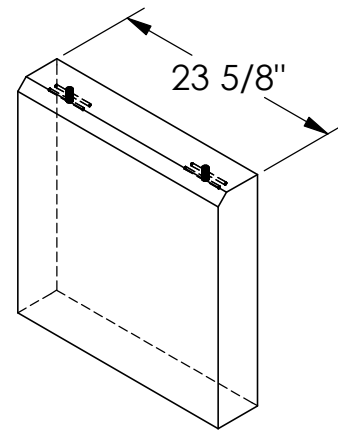


RockCast Easy Order Form



Profile

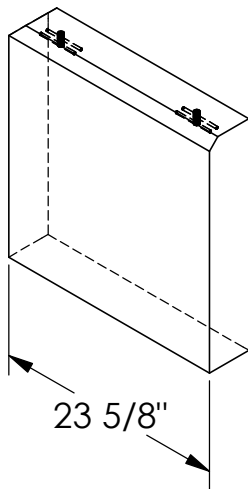


Straight

Qty: ___

202#

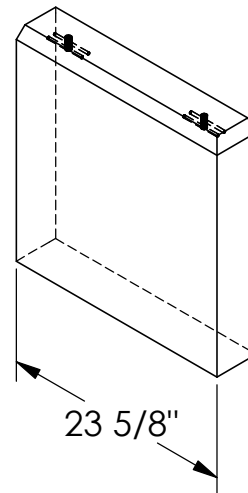
PANEL COMES WITH 2 LIFTING INSERTS INSTALLED



Left Return

Qty: ___

202#



Right Return

Qty: ___

202#

| | | |
|-----------------------------------------------------------------------------------------------------------|-----------------|-----------------------------------------------------------------------------------------------------------------------------------------------------------|
| <p>Mold #: PA-2121-24</p> | | <p>Buffstone <input type="checkbox"/> Crystal White <input type="checkbox"/> Other <input type="checkbox"/></p> |
| <p>RockCast 4600 Devitt Drive Cincinnati, Ohio 45246</p> | <p>Project:</p> | <p>Approved By:</p> |