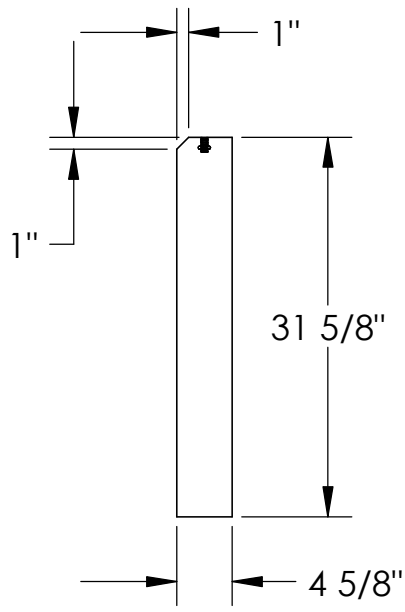
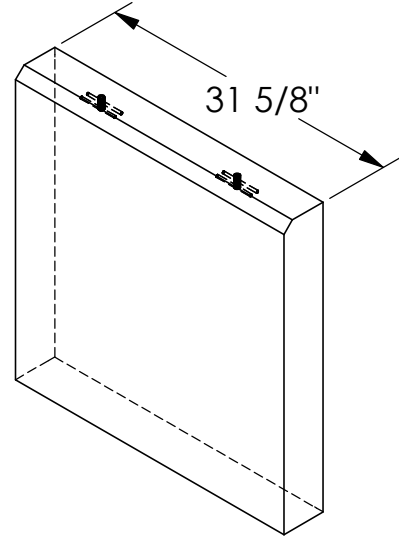


# RockCast Easy Order Form



Profile

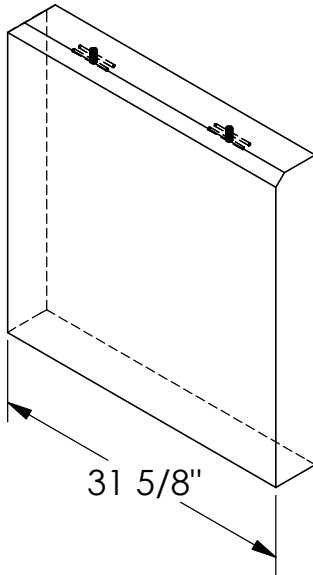


Straight

Qty: \_\_\_

361#

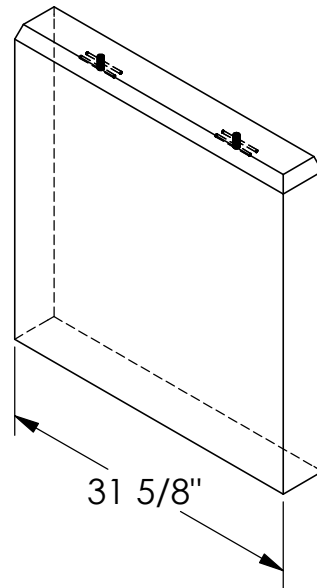
PANEL COMES WITH 2 LIFTING INSERTS INSTALLED



Left Return

Qty: \_\_\_

361#



Right Return

Qty: \_\_\_

361#

Mold #: <b>PA-2122-32</b>		Buffstone <input type="checkbox"/> Crystal White <input type="checkbox"/> Other <input type="checkbox"/>
<b>RockCast</b> 4600 Devitt Drive Cincinnati, Ohio 45246	Project:	Approved By: