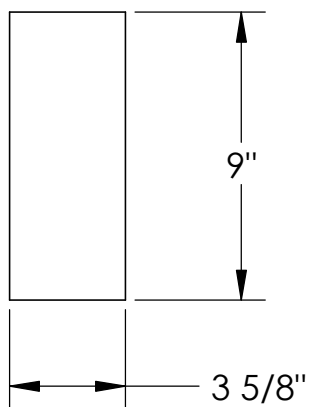
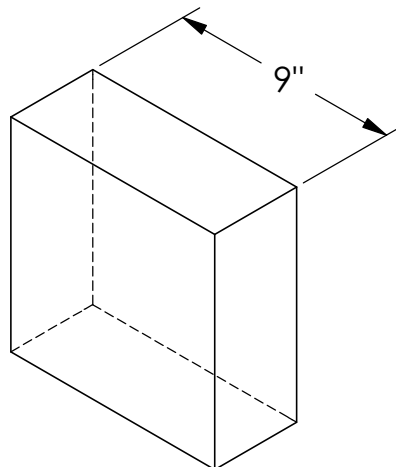


# RockCast Easy Order Form



Profile



Quoin

Qty: \_\_\_\_

|  |          |  |
|--|----------|--|
| Mold #:<br><b>QM-440</b>                                       |          | Buffstone <input type="checkbox"/><br>Crystal White <input type="checkbox"/><br>Other <input type="checkbox"/> |
| <b>RockCast</b><br>4600 Devitt Drive<br>Cincinnati, Ohio 45246 | Project: | Approved By:   |