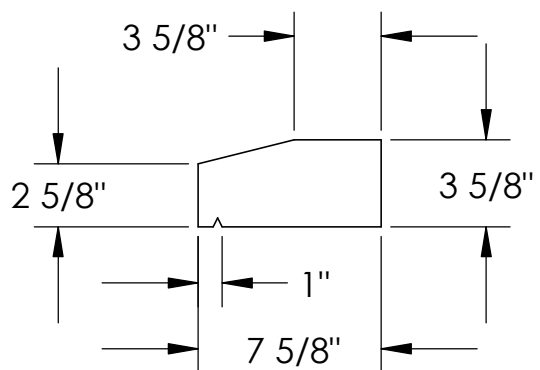
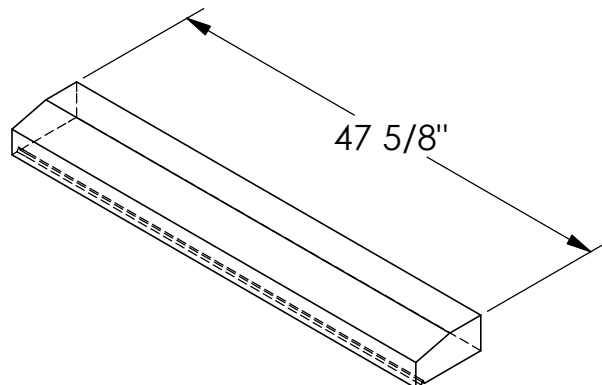


RockCast Easy Order Form



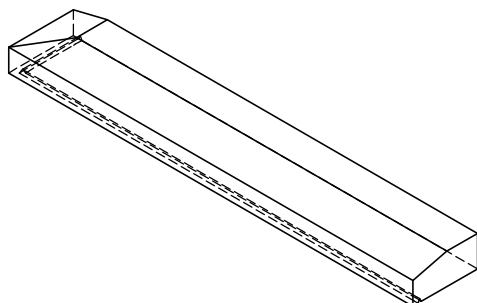
Profile



Straight

Qty: ___

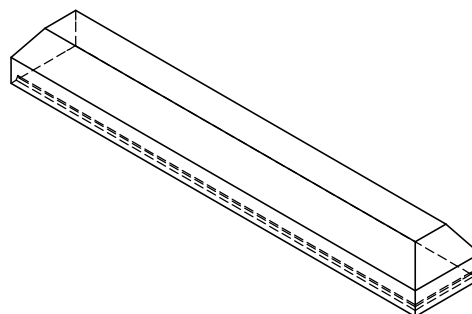
96#



Left Return

Qty: ___

95#



Right Return

Qty: ___

95#

Mold #: SL-440		Buffstone <input type="checkbox"/> Crystal White <input type="checkbox"/> Other <input type="checkbox"/>
RockCast 4600 Devitt Drive Cincinnati, Ohio 45246	Project:	Approved By: