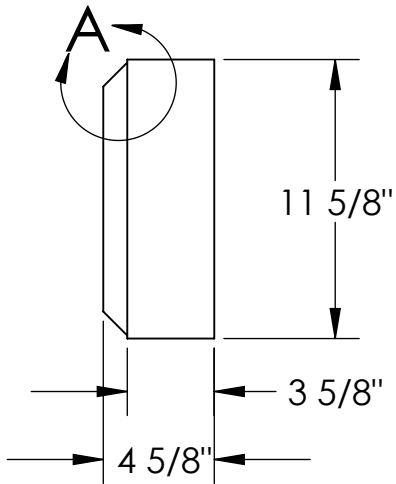
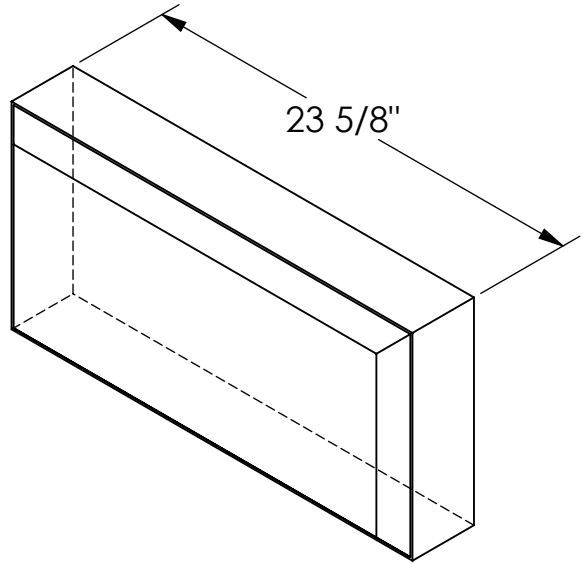


RockCast Easy Order Form

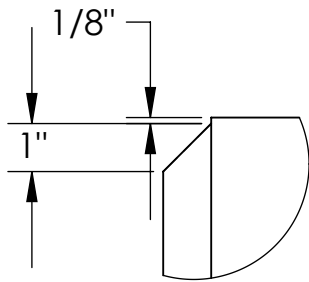


Profile



Chamfered Stretcher

Qty: ____



DETAIL A
SCALE 1 : 4

<p>Mold #: ST-403</p>		<p>Buffstone <input type="checkbox"/> Crystal White <input type="checkbox"/> Other <input type="checkbox"/></p>
<p>RockCast 4600 Devitt Drive Cincinnati, Ohio 45246</p>	<p>Project:</p>	<p>Approved By:</p>