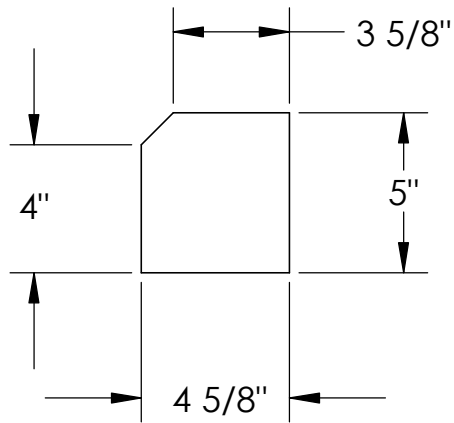
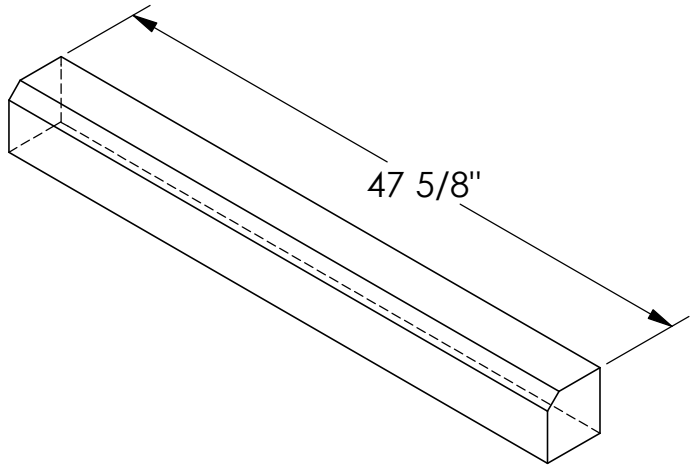


# RockCast Easy Order Form

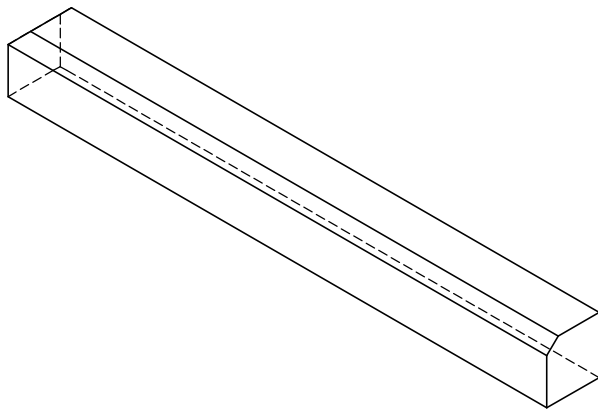


Profile



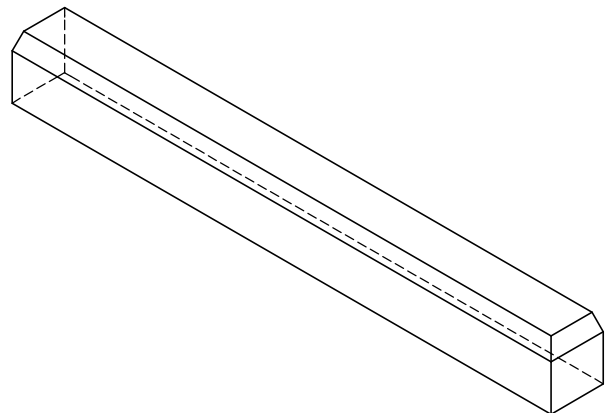
Straight

Qty: \_\_\_\_



Left Return

Qty: \_\_\_\_



Right Return

Qty: \_\_\_\_

Mold #: <b>WT-350</b>		Buffstone <input type="checkbox"/> Crystal White <input type="checkbox"/> Other <input type="checkbox"/>
<b>RockCast</b> 4600 Devitt Drive Cincinnati, Ohio 45246	Project:	Approved By: