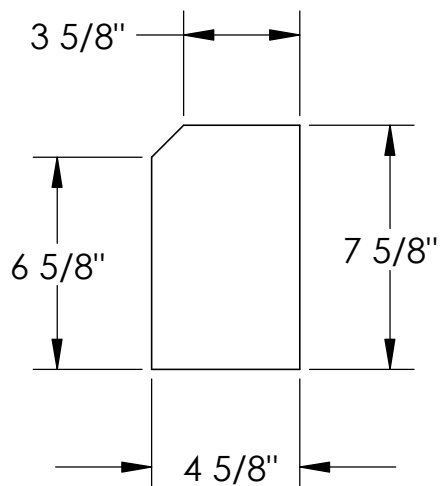
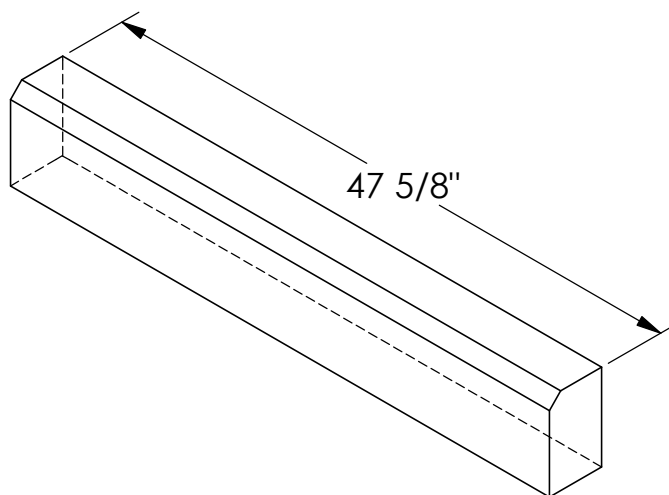


# RockCast Easy Order Form

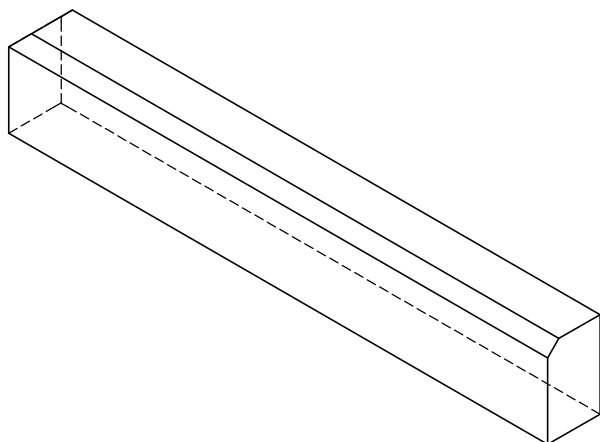


Profile



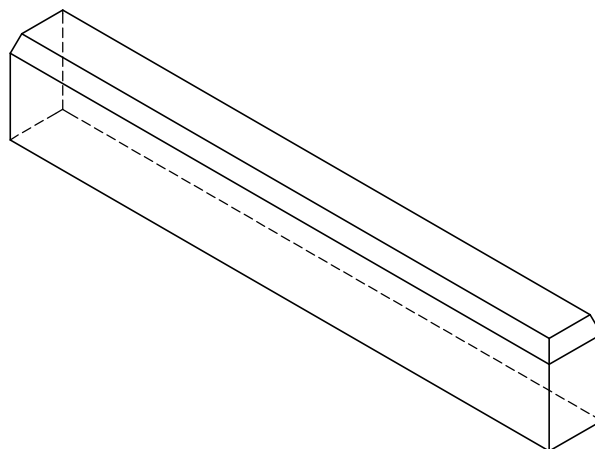
Straight

Qty: \_\_\_\_



Left Return

Qty: \_\_\_\_



Right Return

Qty: \_\_\_\_

<p>Mold #:</p> <p><b>WT-375</b></p>		<p>Buffstone <input type="checkbox"/></p> <p>Crystal White <input type="checkbox"/></p> <p>Other <input type="checkbox"/></p>
<p><b>RockCast</b></p> <p>4600 Devitt Drive Cincinnati, Ohio 45246</p>	<p>Project:</p>	<p>Approved By:</p>