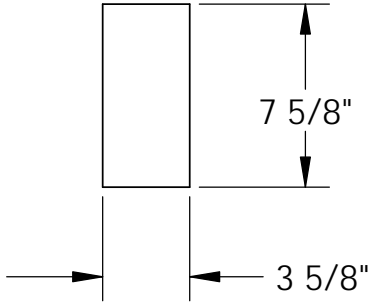
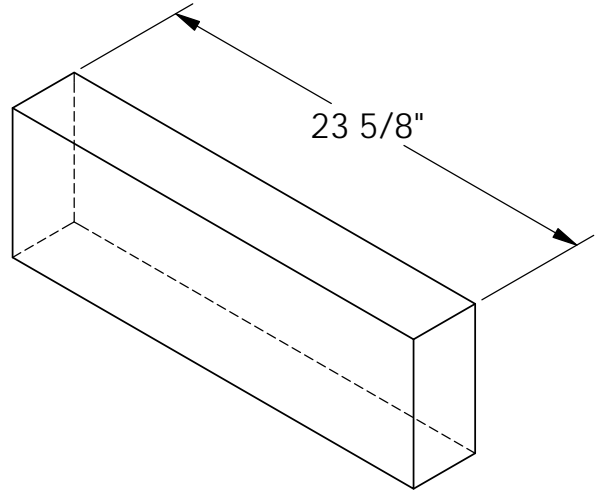


# RockCast Easy Order Form

## CALIZA



Profile



Stretcher

Qty:

|  |          |                         |
|--|----------|-------------------------|
| Mold #:<br><b>CTST-005</b>                                     |          | Color: (Please Specify) |
| <b>RockCast</b><br>4600 Devitt Drive<br>Cincinnati, Ohio 45246 | Project: | Approved By:            |