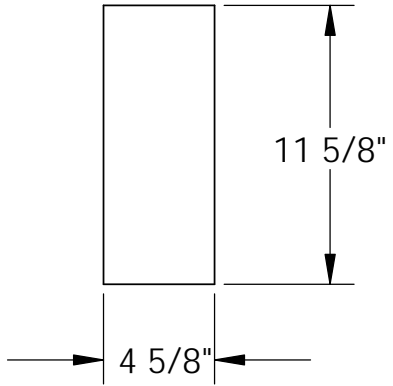
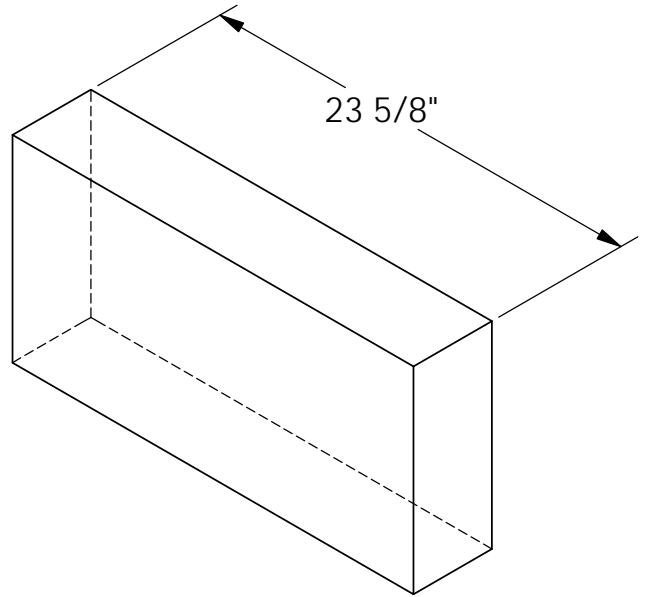


RockCast Easy Order Form



Profile



Stretcher

Qty:

Mold #: CTST-023		Color: (Please Specify)
RockCast 4600 Devitt Drive Cincinnati, Ohio 45246	Project:	Approved By: