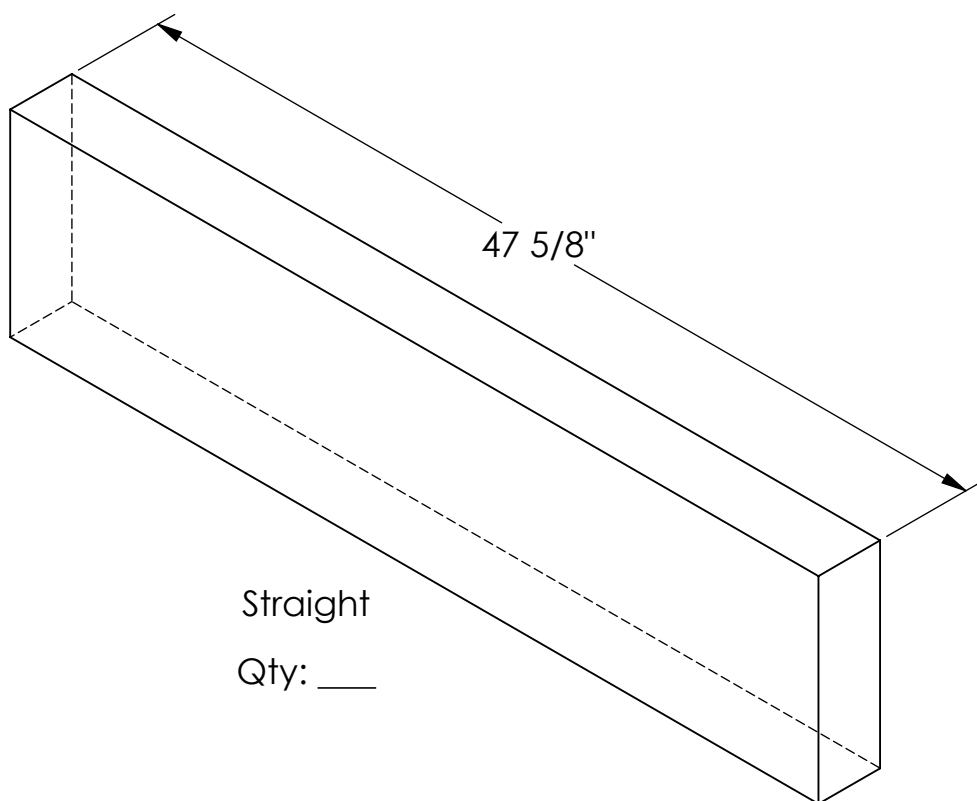
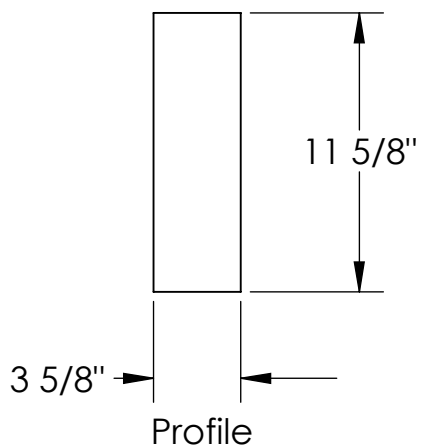



RockCast Easy Order Form

CALIZA



Straight

Qty: ____

Mold #: CTST-1248		Color: (Please Specify)
 ROCKCAST 4600 DEVITT DRIVE CINCINNATI, OHIO 45246	Project:	Approved By: