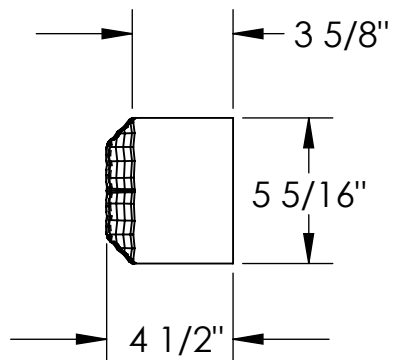
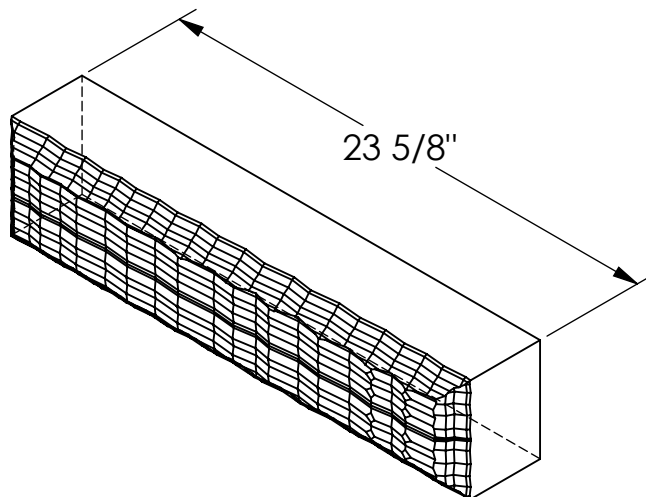


RockCast Easy Order Form

CALIZA




Profile



Chiseled Stretcher

Qty: ____

Mold #: CTST-206		Color: (Please Specify)
 ROCKCAST 4600 DEVITT DRIVE CINCINNATI, OHIO 45246	Project:	Approved By: