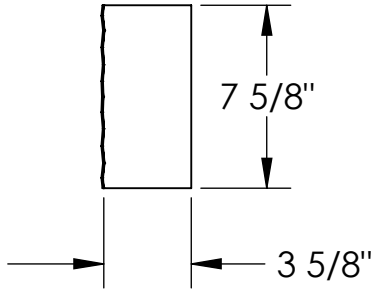
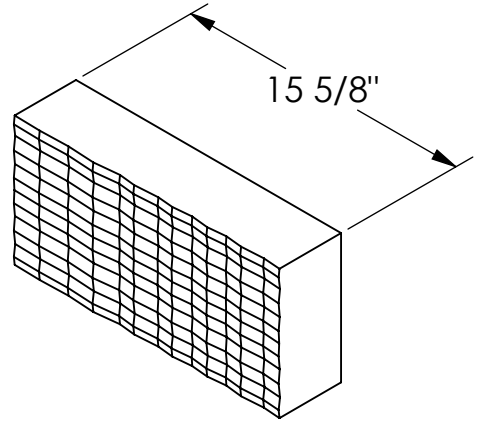


RockCast Easy Order Form

CALIZA



Profile



Split Stretcher

Qty: ____

Mold #:

CTST-315

Color: (Please Specify)



Project:

Approved By: