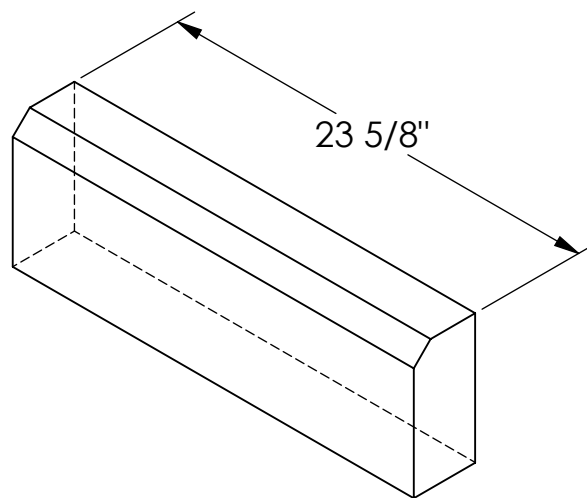
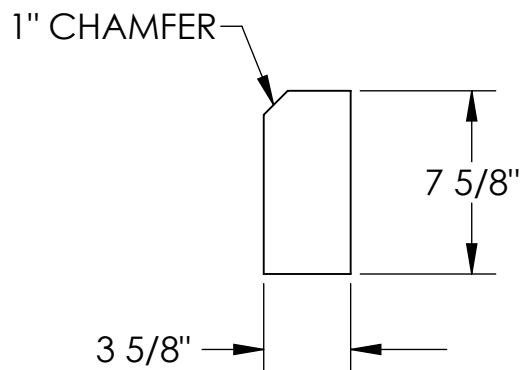


# RockCast Easy Order Form

## CALIZA



Straight

Qty: \_\_\_\_

Mold #:

**CTST-5054**

Color: (Please Specify)

 **ROCKCAST**  
4600 DEVITT DRIVE  
CINCINNATI, OHIO 45246

Project:

Approved By: