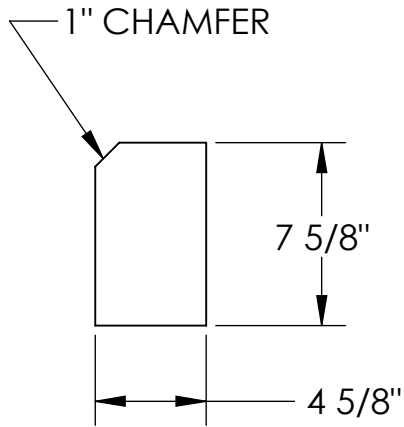
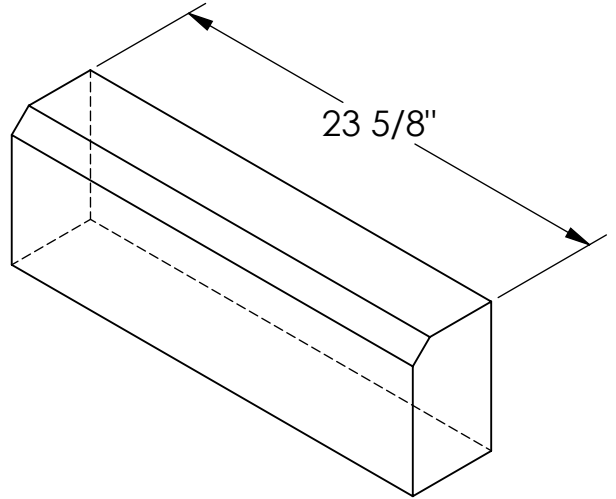


# RockCast Easy Order Form

## CALIZA



Profile



Chamfered Stretcher

Qty: \_\_\_\_

Mold #:

**CTST-525**

Color: (Please Specify)

**RockCast**

4600 Devitt Drive  
Cincinnati, Ohio 45246

Project:

Approved By: