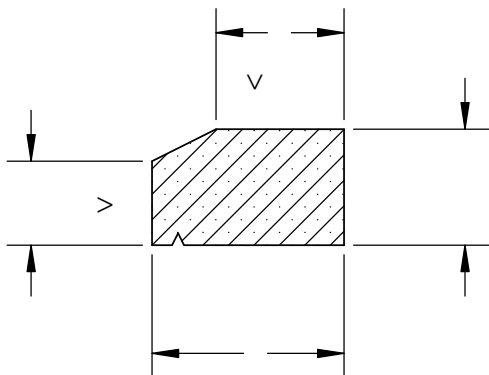


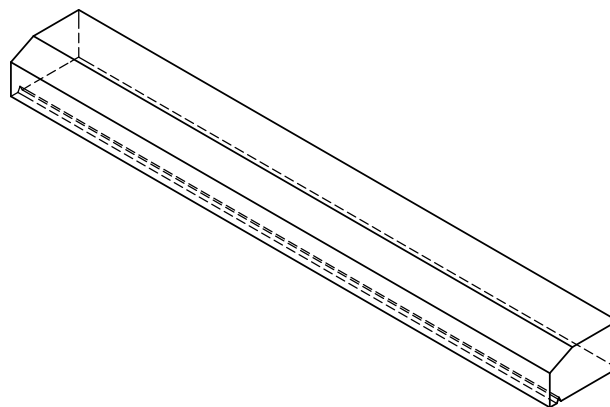
RockCast "Flex"ability Form

< FINISHED FACES

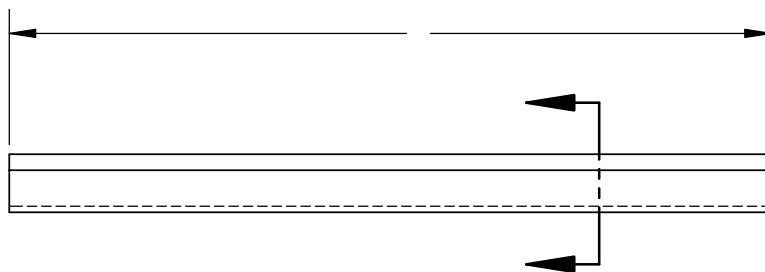
SILL



PROFILE



ISOMETRIC



ELEVATION

Customer Notes:

Color:

QTY

UOM

Customer:

PRICING

FABRICATION

STRAIGHT
LEFT RETURN
RIGHT RETURN
END

Project:



4600 DEVITT DRIVE
CINCINNATI, OHIO 45246

513.874.2345
fax: 513.874.2361

www.readingrock.com

Notes:

- SELECT UP TO 3 OPTIONS PER PROFILE THAT CAN INCLUDE LENGTH, RETURNS OR ENDS.
EXAMPLE A: 36" PIECES, 48" PIECES, RIGHT RETURNS
EXAMPLE B: 42" PIECES, RIGHT RETURNS, LEFT RETURNS
- PIECE LENGTH CAN BE NO LONGER THAN 15X THE SMALLEST DIMENSION.
- MATERIAL AVAILABLE IN 6 WEEKS FROM APPROVED SHOP DRAWING.