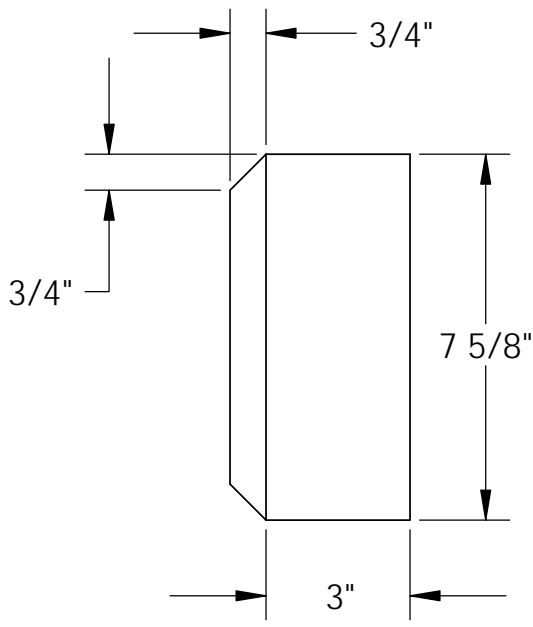
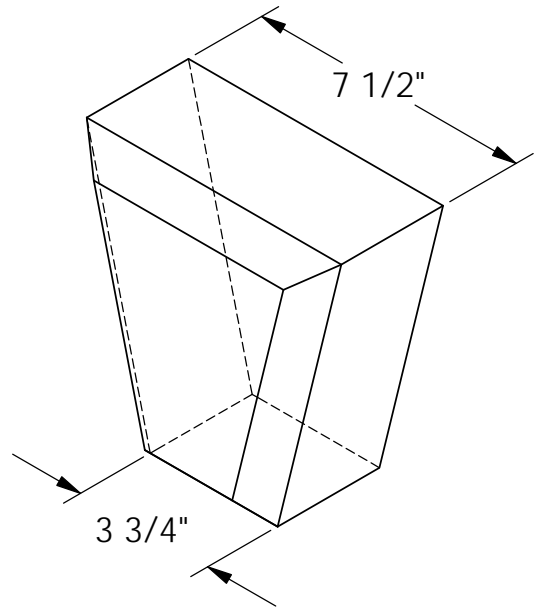


# RockCast Easy Order Form



Profile



Keystone

Qty: \_\_\_\_

<p>Mold #:</p> <p><b>KY-310</b></p>		<p>Buffstone <input type="checkbox"/></p> <p>Crystal White <input type="checkbox"/></p> <p>Other <input type="checkbox"/></p>
 <p>4600 DEVITT DRIVE CINCINNATI, OHIO 45246</p>	<p>Project:</p>	<p>Approved By:</p>