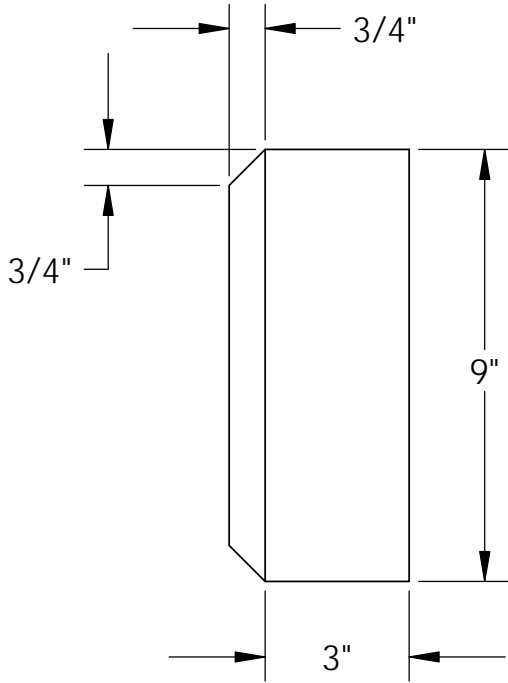
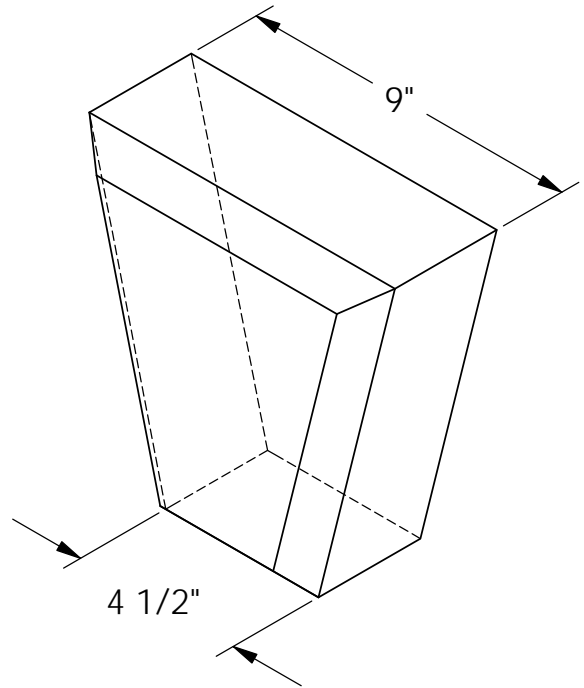


RockCast Easy Order Form



Profile



Keystone

Qty: _____

Mold #: KY-330		Buffstone <input type="checkbox"/> Crystal White <input type="checkbox"/> Other <input type="checkbox"/>
 4600 DEVITT DRIVE CINCINNATI, OHIO 45246	Project:	Approved By: