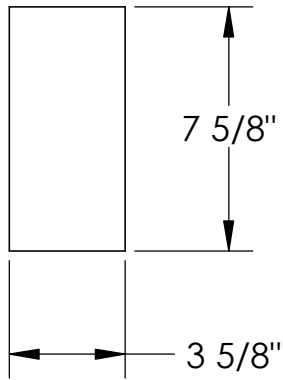
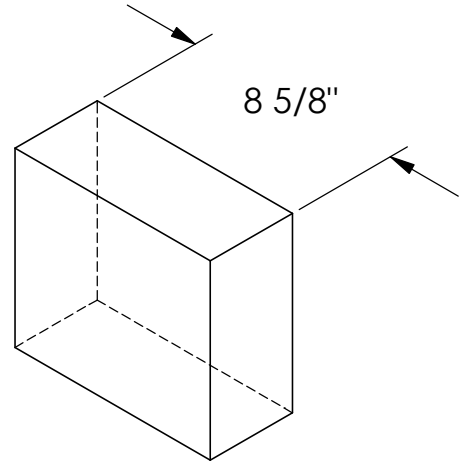


RockCast Easy Order Form



Profile



Quoin

Qty: ____

| | | |
|----------------------------------------------------------------|----------|----------------------------------------------------------------------------------------------------------------|
| Mold #: QM-300 | | Buffstone <input type="checkbox"/> Crystal White <input type="checkbox"/> Other <input type="checkbox"/> |
| RockCast 4600 Devitt Drive Cincinnati, Ohio 45246 | Project: | Approved By: |