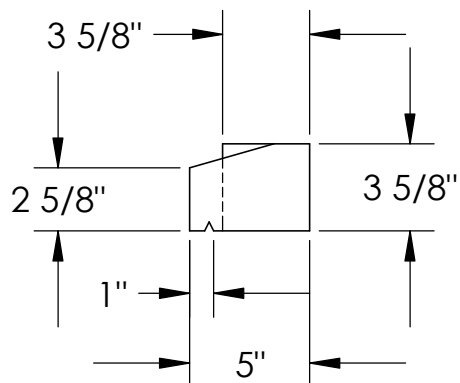


RockCast Easy Order Form

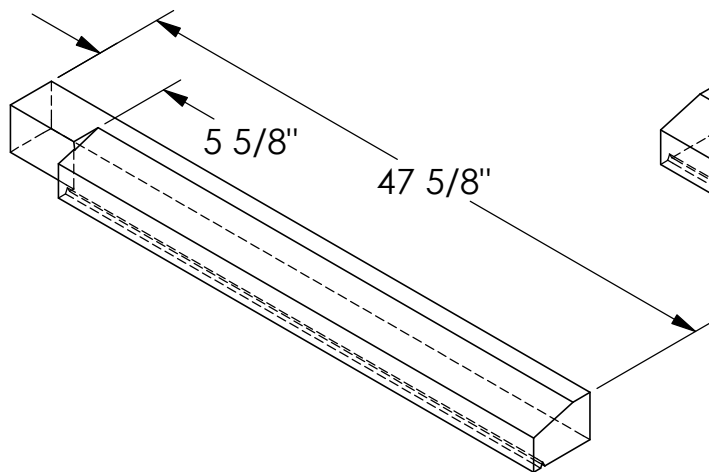


SEE SILL
SL-100

Profile

Straight

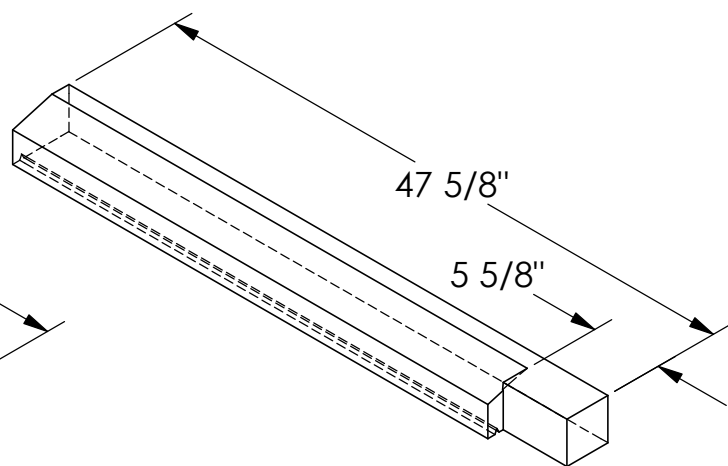
Qty: ____



Left Return

Qty: ____

60#



Right Return

Qty: ____

60#

| | | |
|-----------------------------------------------------------------------------------------------------------|-----------------|-----------------------------------------------------------------------------------------------------------------------------------------------------------|
| <p>Mold #: SL-2430</p> | | <p>Buffstone <input type="checkbox"/> Crystal White <input type="checkbox"/> Other <input type="checkbox"/></p> |
| <p>RockCast 4600 Devitt Drive Cincinnati, Ohio 45246</p> | <p>Project:</p> | <p>Approved By:</p> |