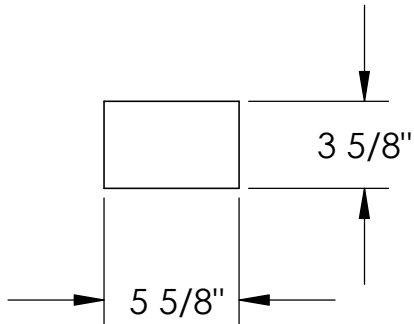
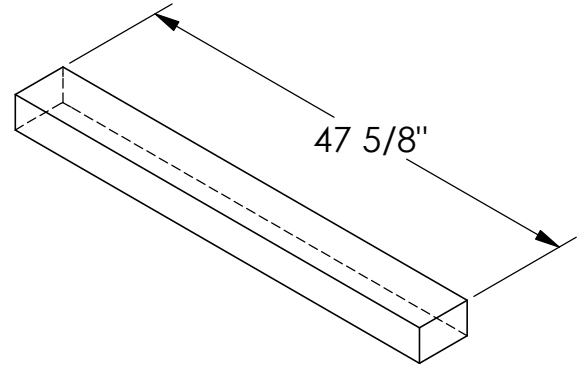


RockCast Easy Order Form



Profile



Straight

Qty: ____

76#

SAME AS
STRAIGHT PIECE

SAME AS
STRAIGHT PIECE

Left Return

Qty: ____

Right Return

Qty: ____

Mold #:

SL-500

Buffstone
 Crystal White
 Other

RockCast

4600 Devitt Drive
 Cincinnati, Ohio 45246

Project:

Approved By: