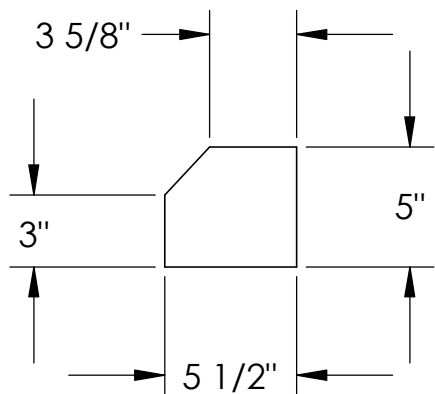
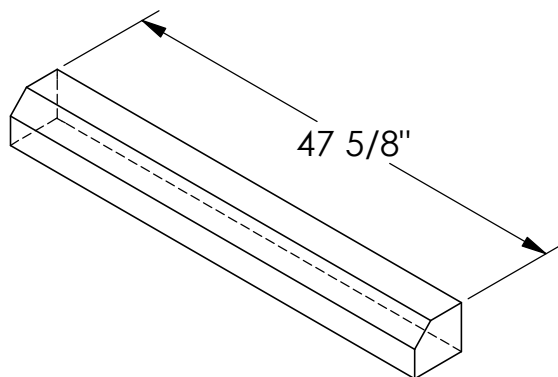


RockCast Easy Order Form



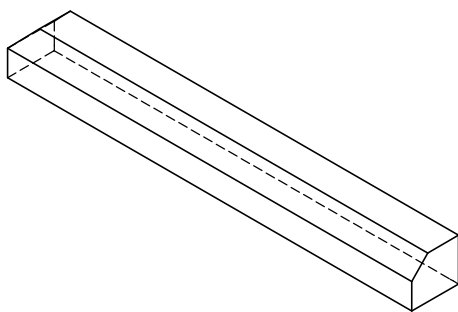
Profile



Straight

Qty: ___

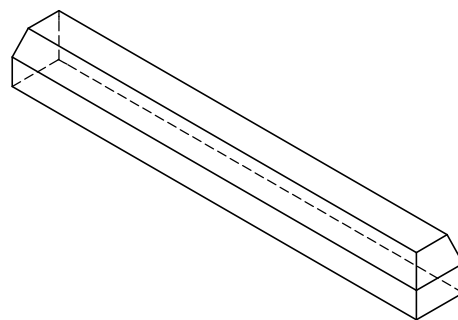
96#



Left Return

Qty: ___

96#



Right Return

Qty: ___

96#

| | | |
|--|----------|--|
| Mold #: SL-400 | | Buffstone <input type="checkbox"/> Crystal White <input type="checkbox"/> Other <input type="checkbox"/> |
| RockCast 4600 Devitt Drive Cincinnati, Ohio 45246 | Project: | Approved By: |